

Measure Diagram D-3

LOCATING TAB STYLE YOKE



Measure For New Pinion Yoke:

Note: This diagram is for measuring the U-Joint size, either for existing pinion yoke or to measure for a replacement new pinion yoke.

Note: If you need help or are unsure, please call our professional staff to answer your questions.

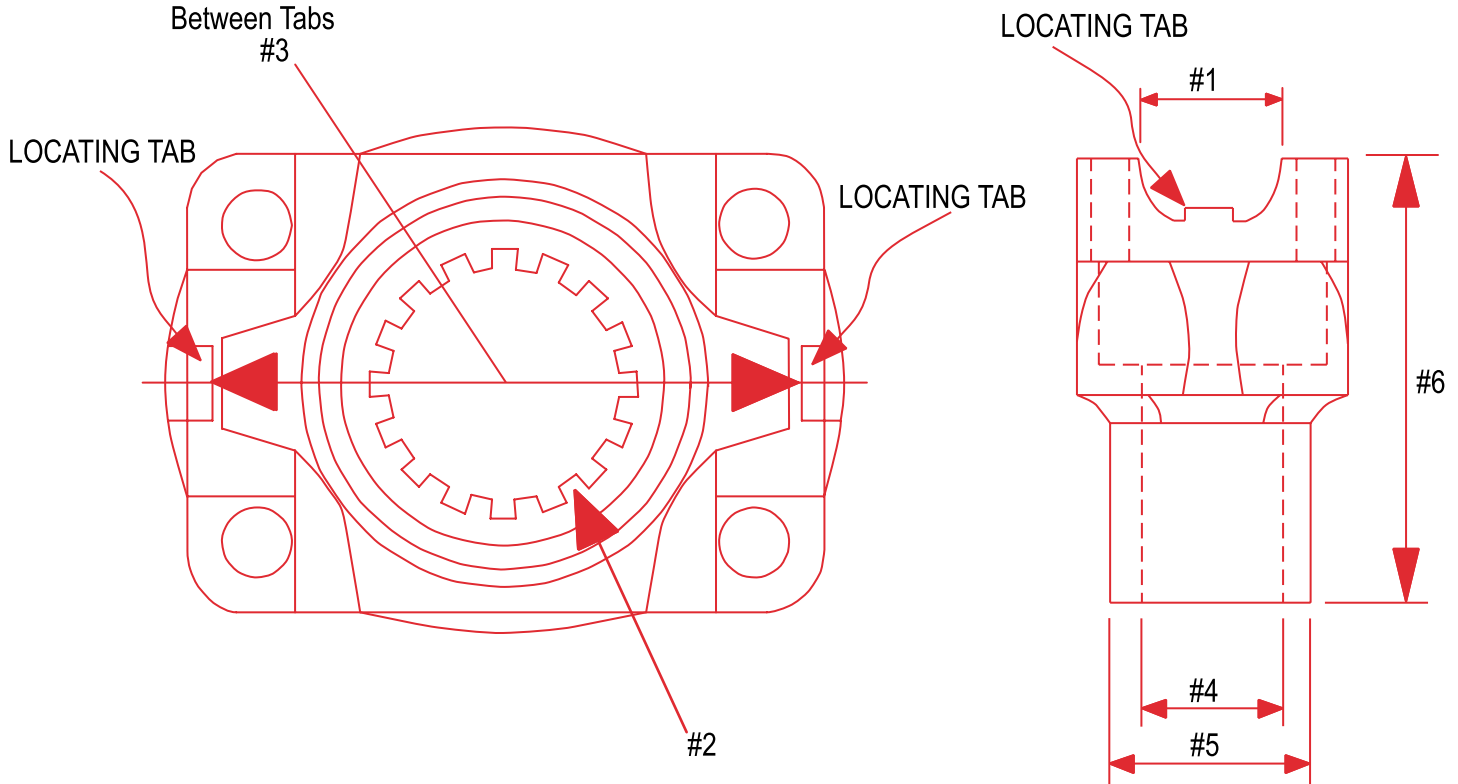
This style yoke is use by:
GENERAL MOTORS, FORD & CHRYSLER

ARIZONA DRIVESHAFT
480-898-1957

Mountain Standard Time (non daylight savings)

7:00 AM to 5:00 PM Mon - Fri

Closed Weekends and Holidays



- #1 How wide is the saddle that the u-joint cap fits into? _____ **1-1/16** **1-1/8** **1-3/16** Circle One
You will get ONE of these three choices
- #2 How many splines do you count in the yoke? _____ Splines
Please use marker to mark splines as you count for accuracy
- #3 What is the measurement between the 2 Locating Tabs? _____ **3-7/32** **3-5/8** Circle One
You will have one of these 2 choices, **3-7/32, 3-5/8**
- #4 What is the diameter of the splined hole? _____ Diameter
- #5 What is the diameter of the seal surface? _____ Diameter
- #6 What is the Total Height of the Yoke? _____ Inches